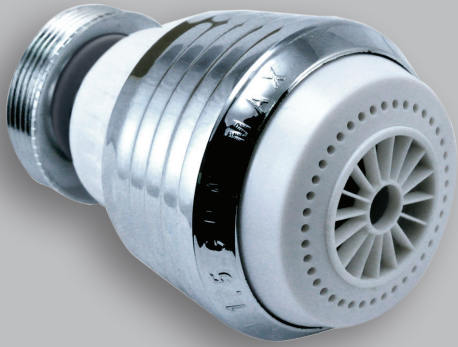


# Dual Spray Swivel Aerator



Our Niagara Conservation branded Dual Spray Swivel Aerator allows for directing the water flow where it's needed most providing greater efficiencies. It offers two stream options: a full force multiple stream and a splash-free bubble stream. The aerator also contains a 360° swivel which helps to reduce water use by directing the water flow where it's needed.

## Features

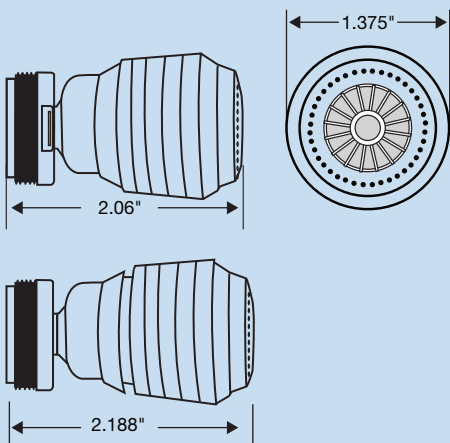
- Dual threaded
- Fits most male and female threaded faucets, Male: 15/16-27, Female: 55/64-27
- Housing constructed of durable ABS plastic with high-polish chrome finish, does not contain any unplated brass parts
- 10 Year Warranty\*\*

## Certification and Performance Requirements

- ASME A112.18.1 / CSA B125.1; ANSI/NSF 61
- Chrome plated parts meet ASTM B368 for corrosion testing



## Dimensions



\*Dimensions are subject to change

Model #	Spray	Finish	Flow Rate	Watersense	Case Qty
N3115-P	Aerated Bubble/Needle	Chrome	1.5 GPM	No	200

## Potential Annual Savings<sup>1</sup>

	Flow Rate	Water	Electric Heating	Gas Heating
<b>Dollar Savings</b>	1.5 GPM	\$51	\$39	\$21
<b>Utility Savings</b>	1.5 GPM	6,132 Gallons	347 kWh	19 Therms

<sup>1</sup>Factors in calculating savings potential:

- 3-person households each person using a faucet 8 minutes per day, 365 days per year (AWWARF Residential Study)
- Comparing water use with these aerator vs. a standard 2.2 GPM unit
- US city average water and sewer cost of \$8.3 per 1,000 gallons (study done by NUS Consulting Group 2011)

- Average cost of electricity 0.113¢ per kWh (Energy Star Nov. 2013 Lightbulb Calculator — [http://www.energystar.gov/?c=cfls\\_pr\\_cfls\\_savings](http://www.energystar.gov/?c=cfls_pr_cfls_savings))
- Average cost of gas \$1.137 per therm (Bureau of Labor Statistics April 2014)
- Calculations done by <http://www.fishnick.com/savewater/tools/watercalculator>

## \*\*WARRANTY DETAILS

AM Conservation Group, Inc. guarantees to the original purchaser or recipient of an aerator that it is free from defects in material and workmanship for a period of 10 years. AM Conservation Group, Inc. will at our choice replace any part of the aerator which is in our opinion defective provided that the product has not been abused, misused, altered, or damaged after its purchase. This includes damage due to the use of tools or harsh chemicals. In the event a product has been discontinued, AM Conservation Group, Inc. will replace it with what we determine to be the closest product. AM Conservation Group, Inc. is not responsible for labor charges, installation, or other consequential cost. AM Conservation Group, Inc.'s responsibility shall not exceed the original cost of the product.

