

Soap & Soak[®] Showerhead Pause Valve



Our Soap & Soak[®] Showerhead Pause Valve attaches to most showerheads allowing you to reduce the flow to a trickle when soaping up for added water and energy efficiency during showering.

Features

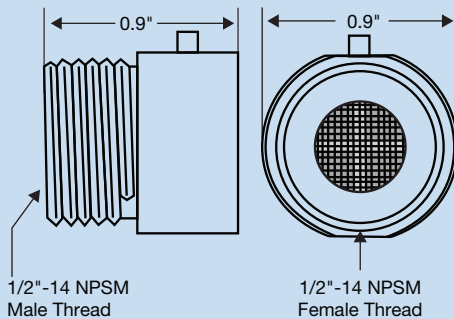
- Compatible with most conventional showerheads
- Patented Soap & Soak[®] valve reduces flow to approximately half of the installed showerhead flow rate
- Easy to install

Certification and Performance Requirements

- ASME A112.18.1 / CSA B125.1
- Chrome plated parts meet ASTM B368 for corrosion testing

Model #	Description	Finish	Watersense	Case Qty
N3110	Pause Valve	Chrome	No	100

Dimensions



*Dimensions are subject to change



AM CONSERVATION
GROUP, INC.

Offering



Water
Efficiency

